
Encoder IC

PT2240B

Description

PT2240B is encoder utilizing CMOS Technology specially designed for remote control applications. It has 20 Address. It can support up to 4 Data Bits and is housed in 8 pin SO Package. It encodes address and data codes into a coded waveform suitable for RF modulation. The pin assignments and application circuit are optimized for easy PCB Layout and cost saving advantage. Furthermore, PT2240B's intrinsic feature of being able to support 4 data bits considerably reduces inventory pressures.

Features

- CMOS Technology
- Low Power Consumption
- Least External Components
- High Noise Immunity
- Single Resistor Oscillator
- Operating Voltage: 1.8~15 V
- 4 Data Pins
- 2²⁰ Address Codes
- Available in SO Package
- Reduction of Inventory Pressures

Applications

- Burglar Alarm System
- Car Security System
- Car/Garage Door Controller
- Home/Office Security System
- Personal Alarm System

Encoder IC

PT2240B

Pin Configurations

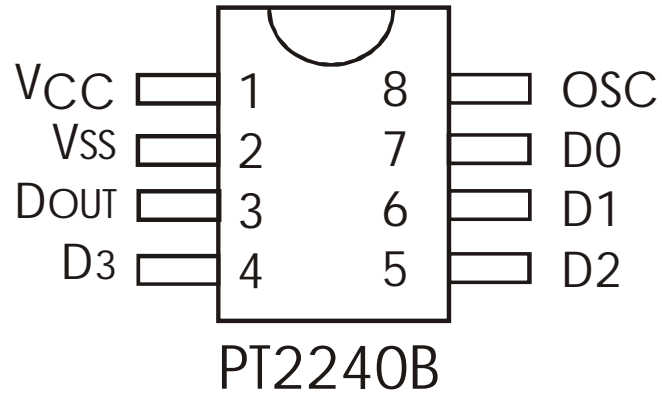
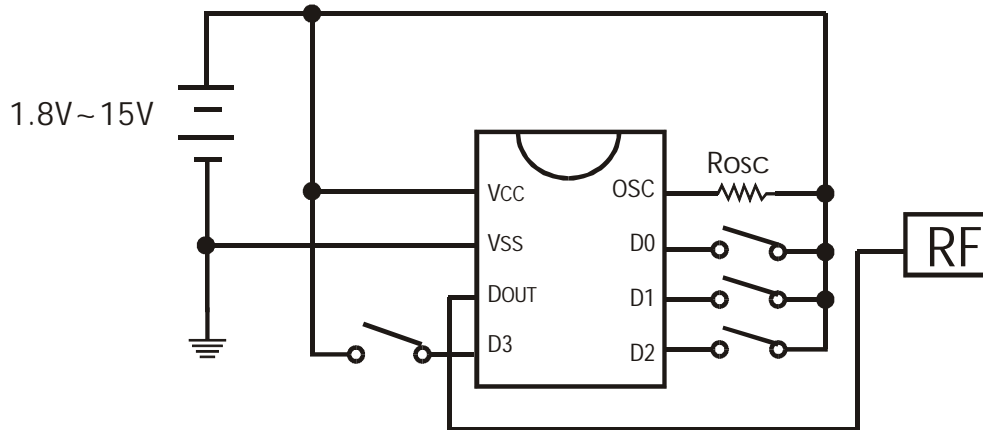
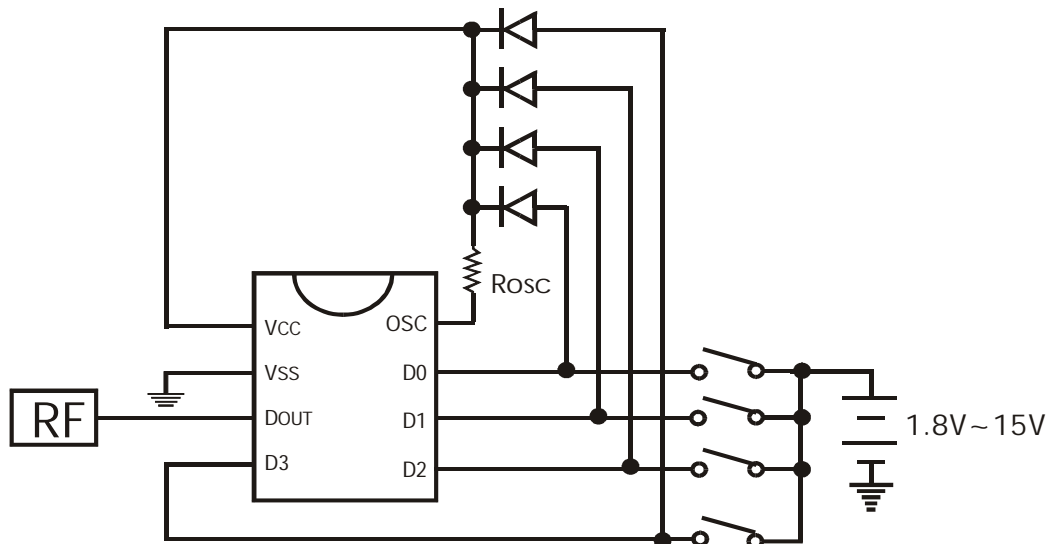


Figure 1: PT2240B Pin Configurations

Encoder IC
PT2240B

Application Circuits

Figure 2: PT2240B (8-pin) Application Circuit

Note: In order that IC protection is assured, please make sure that a diode is connected between the battery and the VDD. If the diode is not connected and the battery polarity was inverted, then the IC will fail.


Figure 3: PT2240B Power Failure Application Circuit
Order Information

Valid Part Number	Package
PT2240B	8 Pins, SOP (150 mil)